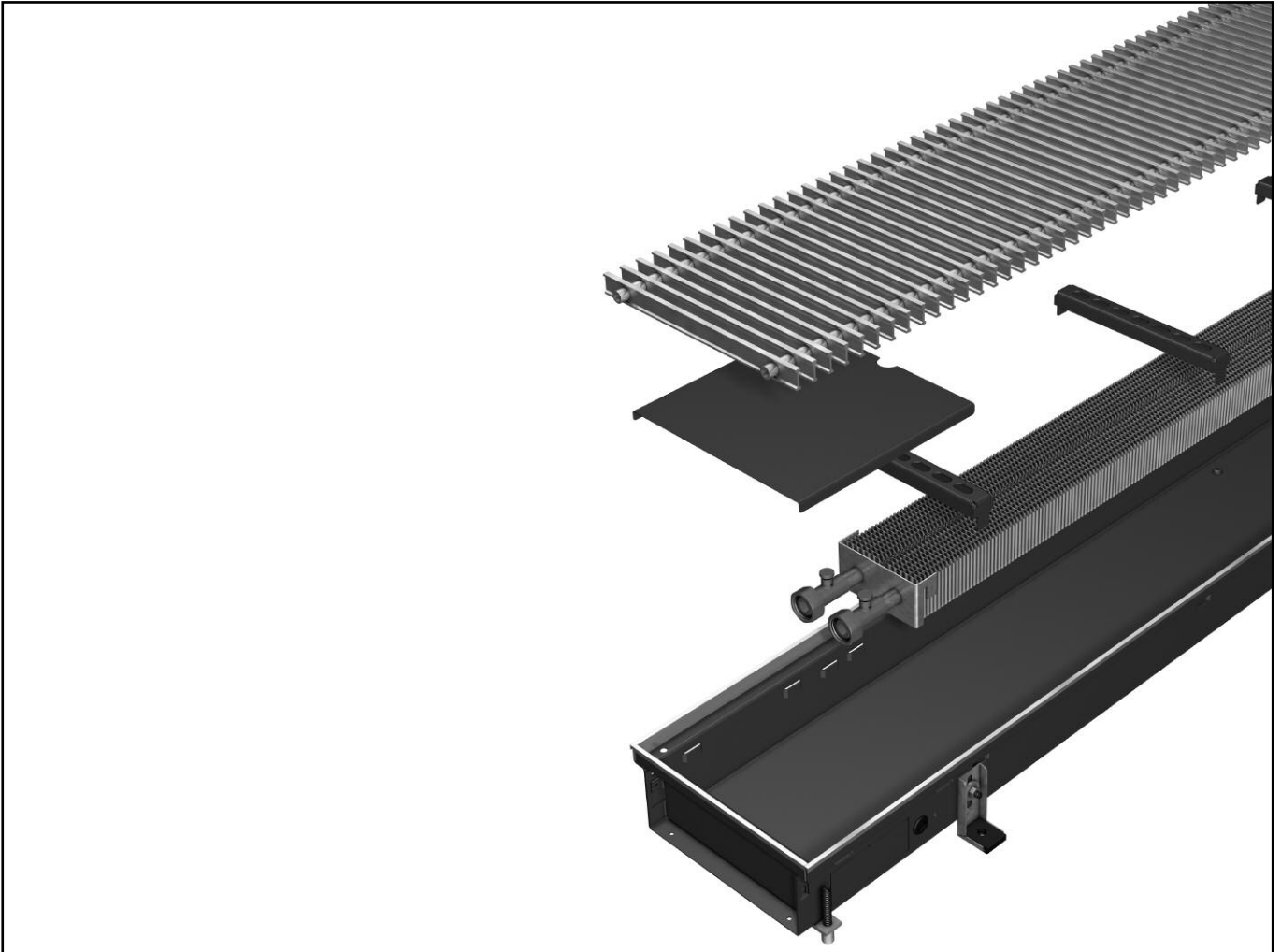


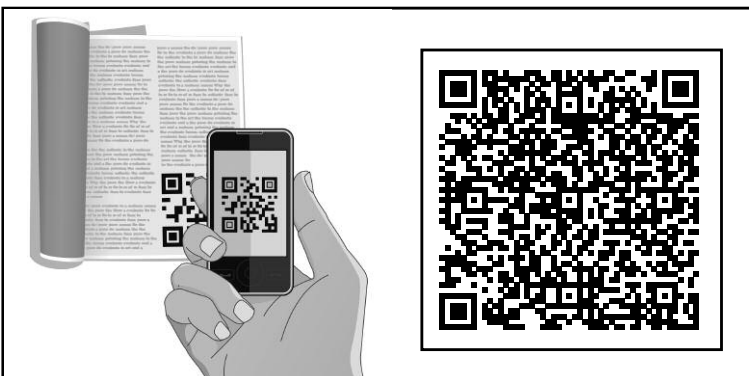
Katherm NK 1.45

Trench Heating with natural convection



Installation instructions

Keep these instructions in a safe place for future use!



[Kampmann.de/installation_manuals](https://www.kampmann.de/installation_manuals)

1.45 Katherm NK - Natural Convection

Table of Contents

Key to symbols:



Caution! Danger!

Non-compliance with this information may lead to serious personal injuries or damage to property.



Danger of electric shock!

Non-compliance with this information may lead to serious personal injuries or damage to property from an electric current.

Carefully read these instructions in full prior to any assembly and installation work!

Anyone involved in the installation, commissioning and use of this product is obliged to pass these instructions to trades people who are involved at the same time or at a later date, as well as to end users or operators. Retain these instructions until the final decommissioning!

Content or design-related changes may be made without any prior notice!

Table of Contents

1. Intended Use	3
2. Safety Information	4
3. Models/Scope of Delivery	4
4. Levelling/Water Connection	5
5. Thermoelectric Actuator	5
6. Screed Work	6
7. Dimensions/Height Adjustment	6
8. Water Connection/Pipe Conduits	7-11
9. Number of Height-adjustment Feet and Raised Floor Mounting Feet	12
10. Maintenance	12
11. Possible Control Options	13
12. Model Overview - Valve Bodies/Return Shut-off Valves	14



1. Intended Use

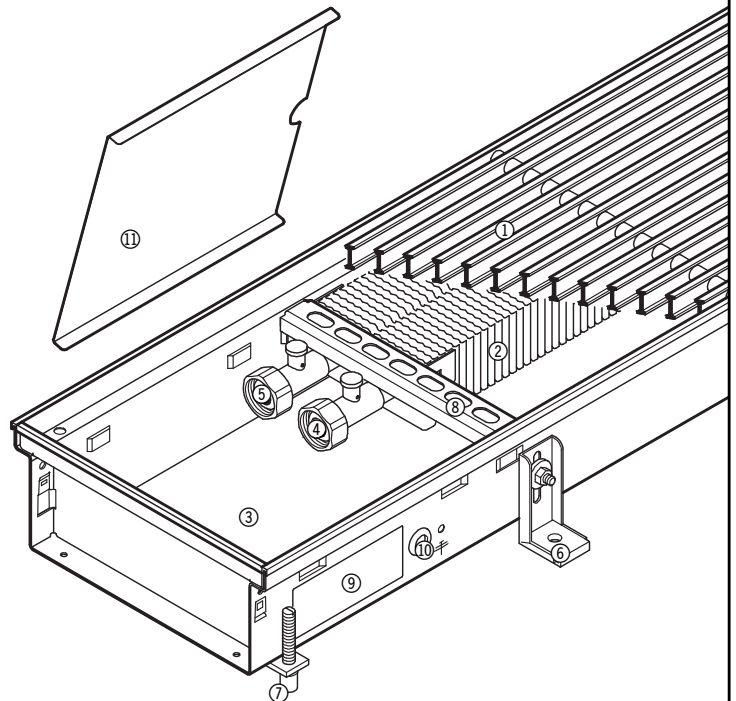
Kampmann *Katherm* NK are built in line with the state of the art and recognised safety regulations. Nevertheless their use may result in danger to people or damage to the unit or other material property if they are not properly installed or properly used.

Katherm NK should only be used indoors (e.g. living space, offices, showrooms etc.) They are not suitable for use in humid environments, such as swimming pools or outdoors. The products should be protected from any moisture during installation. Check the application with the manufacturer in case of any doubt. Any use other than the use specified above is deemed not to be correct and proper. The operator of the unit is solely responsible for any damage resulting from such use. Correct and proper use is deemed to include observing the installation information described in these instructions.

The installation of this product requires specialist knowledge of heating, cooling, ventilation and electrical engineering. This knowledge, generally learned in vocational training in the fields mentioned in section 2, is not described separately. Errors with the connection or modifications may lead to the unit being damaged! The manufacturer shall not be liable for any damage caused by an incorrect connection and/or improper handling.

Katherm NK

- ① Linear grille (alternative: roll-up grille)
- ② PowerKon heat exchanger
- ③ Floor duct
- ④ Flow with Eurokonus connection
- ⑤ Return with Eurokonus connection
- ⑥ Height-adjustment feet with sound insulation
- ⑦ Raised floor mounting feet with sound insulation
- ⑧ Struts
- ⑨ Pipe conduit for water connection
- ⑩ Cable conduit
- ⑪ Connection cover



Caution: Do not remove struts

Example shown: *Katherm* NK 232

1.45 Katherm NK - Natural Convection

Safety Information



2. Safety Information

Installation, assembly and maintenance work on electrical units should only be performed by a qualified electrician in compliance with the VDE guidelines. Wiring should comply with the applicable VDE regulations and provisions laid down by the regional electricity providers. Non-compliance with the regulations and operating instructions may result in the units malfunctioning with consequential damage and danger to people. The units may be incorrectly wired by the wires being swapped – danger of fatal injury! Disconnect all parts of the system from the mains power supply and prevent them from being reconnected before starting any connection and maintenance work! The unit should only be connected to fixed cabling.

Please read these instructions in full to guarantee a correct installation.

Please note the following safety-relevant information:

- Disconnect all parts of the system that are being worked on.
- Ensure that the system cannot be accidentally re-connected!
- Caution! Pipes, casings and fittings may become very hot depending on the operating mode!
- Qualified personnel must have undergone training to provide them with adequate knowledge of the following:
 - Safety and accident prevention regulations
 - Guidelines and recognised technical regulations, i.e. VDE (Association of German Electricians) regulations
 - DIN and EN standards
 - Accident prevention regulations VBG, VBG4, VBG9a
 - DIN VDE 0100, DIN VDE 0105
 - EN 60730 (Part 1)
- Technical wiring regulations issued by the regional electricity providers

Modifications to the unit

Do not undertake any modifications, refurbishments or upgrades on the Katherm NK unit without discussing these with the manufacturer as these may impair the safety and operation of the unit. Do not carry out any action on the unit that is not described in these instructions. On-site systems and cabling must be suitable for connection to the intended system!

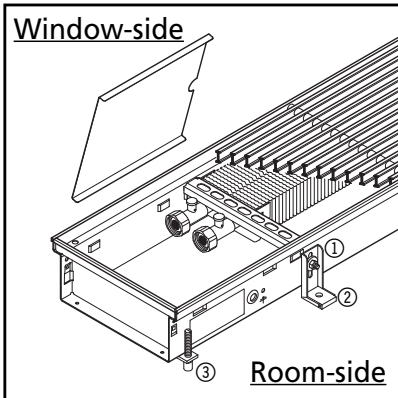


The floor duct has openings provided for the installation of a potential compensation line.

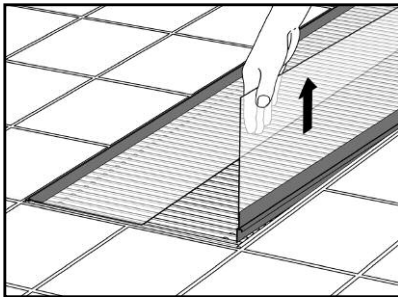
3. Models/Scope of Delivery

Floor ducts are delivered as standard with the following:

- Height-adjustment feet, room-side, ① Rubber underlays for sound absorption ② ; screws and rawlplugs, provided on-site;
- raised floor mounting feet with sound absorption ③



Example shown:
Katherm NK 225



Installation cover: (Remove the transparent installation cover before commissioning the equipment)

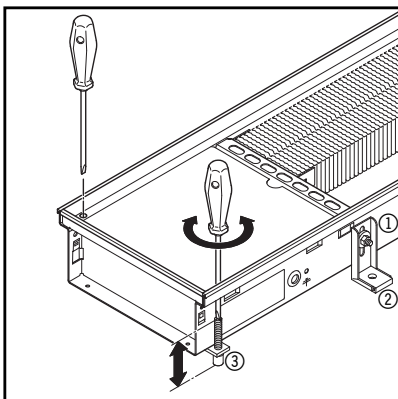
4. Levelling/Water Connection

- Remove the outer stretch wrapping and cardboard box.
Open the transparent protective cover.
- Caution:** Do not remove the struts during installation and operation.
- Arrange the Katherm NK with the PowerKon heat exchanger next to the window.
- Then set up the floor duct and adjust the height of the height-adjustment feet ① and adjusting screws on the raised floor mounting feet with sound absorption ③.
- Fix the height-adjustment feet, room-side ① with rubber underlays for sound absorption ②, with screws and rawlplugs provided on-site.
- Use the stamped room-side pipe openings for the water-side connection. Remove the stamped pipe openings. Screw the thermostat valve and the return shut-off valve without any additional sealant to the Eurokonus connections on the convector.
- Then fit the flow and return pipes.
- Run a pressure test.
- Attach these installation instructions to the floor duct so that they are clearly visible to any trades people at a later date.
- Cover the grille and floor duct with a transparent protective cover to protect them from dirt or cement.

Caution: Grilles are suitable for foot traffic. Local bar loads (i.e. chair legs) must be avoided!

5. Thermoelectric Actuator

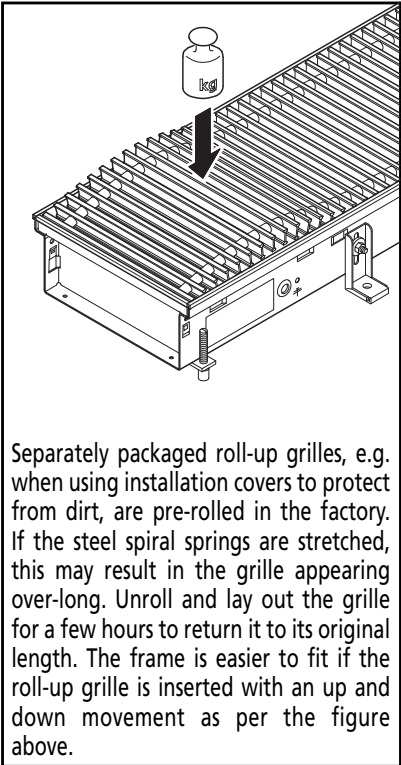
Lay an empty conduit Ø 23 mm for the connection cable from the thermoelectric actuator to the floor duct and flush-mounted box (provided on-site) to connect the thermoelectric actuator.



Height adjustment on the raised floor mounting feet

1.45 Katherm NK - Natural Convection

Screed Work



6. Screed Work

Check the following before starting the screed work:

- The water is connected properly,
- The electricity is connected properly,
- The floor duct is the correct height and distance from the window,
- The grille is covered (Caution! Cement destroys the surface of the grille!),
- The sound insulation (not with raised floors) is installed beneath the floor duct,
- There are no sound bridges to the bare concrete, particularly around the height-adjustment feet.
- All openings and cut-outs in the floor duct heating are sealed from the screed using appropriate material.
- The duct openings and cut-outs should be additionally sealed when using floating screed or other viscous floor coverings.

Caution: The floor duct must not be pressed together by the screed or floor. Provide expansion joints if needed.

7. Dimensions/Height Adjustment

Front view

Duct width/height	A	max. B	C	D	E
137 / 92	64	126	50	50	155
137 / 120	92	154	50	50	155
182 / 92	64	126	70	50	200
182 / 120	92	154	70	50	200
182 / 150	122	184	70	100	200
182 / 200	172	234	70	100	200
232 / 92	64	126	100	50	250
232 / 120	92	154	100	50	250
232 / 150	122	184	100	100	250
232 / 200	172	234	100	100	250
300 / 92	64	126	150	50	320
300 / 120	92	154	150	50	318
300 / 150	122	184	150	100	318
300 / 200	172	234	150	100	318
380 / 92	64	126	200	50	398
380 / 120	92	154	200	50	398
380 / 150	122	184	200	100	398
380 / 200	172	234	200	100	398

Section

All dimensions in mm

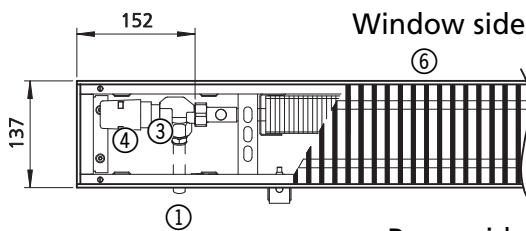
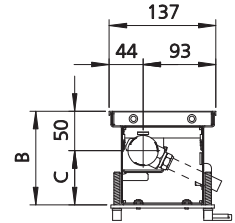
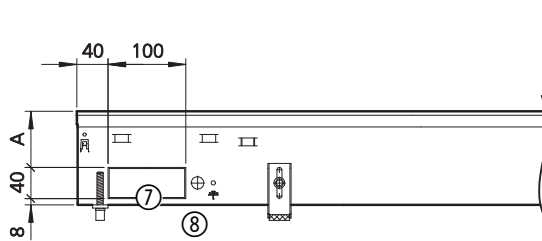
8. Water Connection • Pipe Conduits

Katherm NK 137 (only opposite-end connection)

Duct height 92/120 mm

Connection side, left

- ① Flow
- ② Return
- ③ Valve body, axial 1/2", type 194000246909 or type 194000346911 (presettable)
- ④ Thermoelectric actuator, type 194000146905
- ⑤ Return shut-off valve, straight, type 194000145952
- ⑥ Unit shown with roll-up grille
- ⑦ Pipe conduits, cut-out
- ⑧ Cable conduits

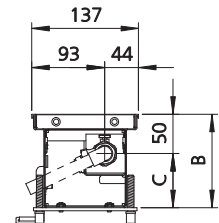
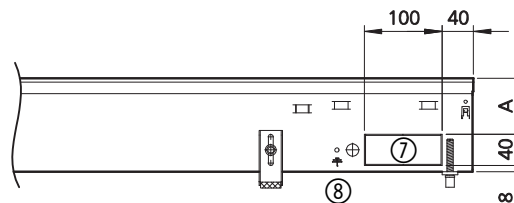


Room-side

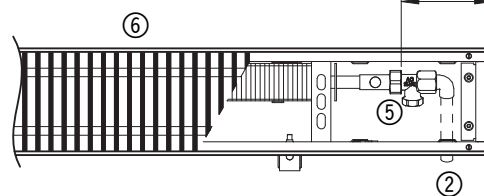
Opposite end connections, connections on left

Katherm NK 137	A	B	C
Duct height 92 mm	44	92	42
Duct height 120 mm	72	120	70

Connection side, right



Window side



Room-side

Opposite end connections, connections on right

Katherm NK 137	A	B	C
Duct height 92 mm	44	92	42
Duct height 120 mm	72	120	70

All dimensions in mm

1.45 Katherm NK - Natural Convection

Water Connection • Pipe Conduits

Katherm NK 182, single-end connection

Duct height 92/120 mm

- ① Flow
- ② Return
- ③ Valve body, axial 1/2", type 194000246909 or type 194000346911 (presettable)
- ④ Thermoelectric actuator, type 194000146905
- ⑤ Return shut-off valve, straight, type 194000145952
- ⑥ Unit shown with roll-up grille
- ⑦ Pipe conduits, cut-out
- ⑧ Cable conduits

Duct height 150/200 mm

- ① Flow
- ② Return
- ③ Valve body, straight, type 194000146909 or type 194000346909 (presettable)
- ④ Thermoelectric actuator, type 194000146905
- ⑤ Return shut-off valve, straight, type 194000145952
- ⑥ Unit shown with roll-up grille
- ⑦ Pipe conduits, cut-out
- ⑧ Cable conduits

Duct height 150/200 mm

- ① Flow
- ② Return
- ③ Valve body, straight, type 194000146909 or type 194000346909 (presettable)
- ④ Thermoelectric actuator, type 194000146905
- ⑤ Return shut-off valve, straight, type 194000145952
- ⑥ Unit shown with roll-up grille
- ⑦ Pipe conduits, cut-out
- ⑧ Cable conduits

Same end connections, connections on left

Katherm NK 182	A	B	C	D
Duct height 92 mm	44	8	92	42
Duct height 120 mm	50	30	120	70

All dimensions in mm

Same end connections, connections on left

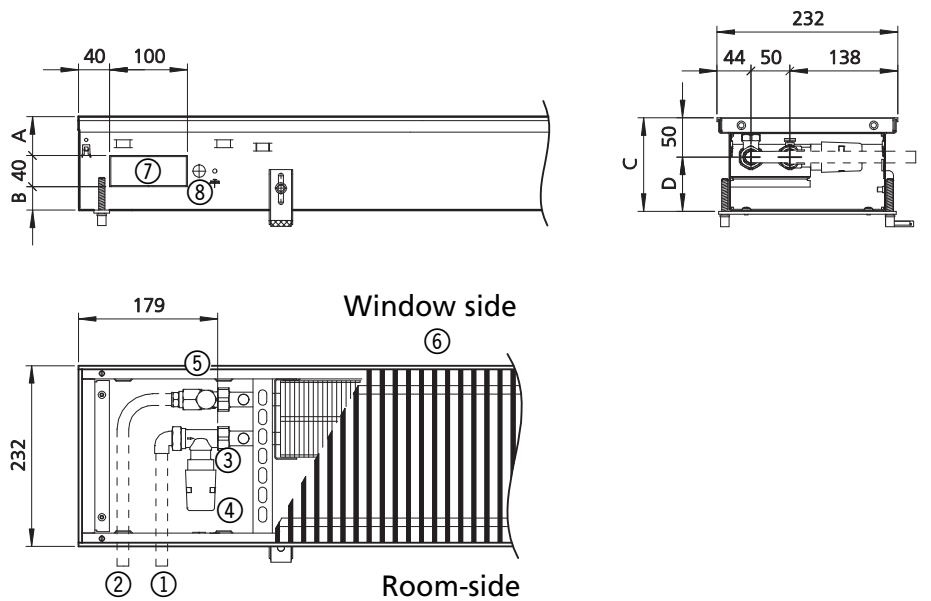
Katherm NK 182	A	B	C
Duct height 150 mm	16	150	50
Duct height 200 mm	66	200	100

All dimensions in mm

Katherm NK 232, single-end connection

Duct height 92/120 mm

- ① Flow
- ② Return
- ③ Valve body, straight, type 194000146909 or type 194000346909 (presettable)
- ④ Thermoelectric actuator, type 194000146905
- ⑤ Return shut-off valve, straight, type 194000145952
- ⑥ Unit shown with roll-up grille
- ⑦ Pipe conduits, cut-out
- ⑧ Cable conduits



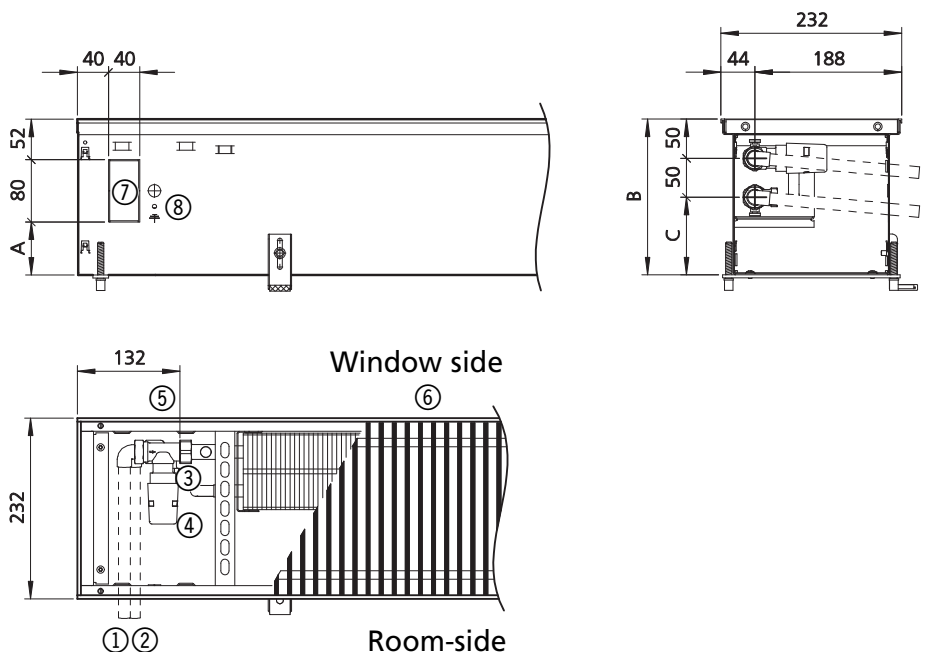
Same end connections, connections on left

Katherm NK 232	A	B	C	D
Duct height 92 mm	44	8	92	42
Duct height 120 mm	50	30	120	70

All dimensions in mm

Duct height 150/200 mm

- ① Flow
- ② Return
- ③ Valve body, straight, type 194000146909 or type 194000346909 (presettable)
- ④ Thermoelectric actuator, type 194000146905
- ⑤ Return shut-off valve, straight, type 194000145952
- ⑥ Unit shown with roll-up grille
- ⑦ Pipe conduits, cut-out
- ⑧ Cable conduits



Same end connections, connections on left

Katherm NK 232	A	B	C
Duct height 150 mm	18	150	50
Duct height 200 mm	68	200	100

All dimensions in mm

1.45 Katherm NK - Natural Convection

Water Connection • Pipe Conduits

Katherm NK 300, single-end connection

Duct height 92/120 mm

- ① Flow
- ② Return
- ③ Valve body, straight, type 194000146909 or type 194000346909 (presettable)
- ④ Thermoelectric actuator, type 194000146905
- ⑤ Return shut-off valve, straight, type 194000145952
- ⑥ Unit shown with roll-up grille
- ⑦ Pipe conduits, cut-out
- ⑧ Cable conduits

Window side

Room-side

Same end connections, connections on left

Katherm NK 300	A	B	C	D
Duct height 92 mm	44	8	92	42
Duct height 120 mm	50	30	120	70

All dimensions in mm

Duct height 150/200 mm

- ① Flow
- ② Return
- ③ Valve body, straight, type 194000146909 or type 194000346909 (presettable)
- ④ Thermoelectric actuator, type 194000146905
- ⑤ Return shut-off valve, straight, type 194000145952
- ⑥ Unit shown with roll-up grille
- ⑦ Pipe conduits, cut-out
- ⑧ Cable conduits

Window side

Room-side

Same end connections, connections on left

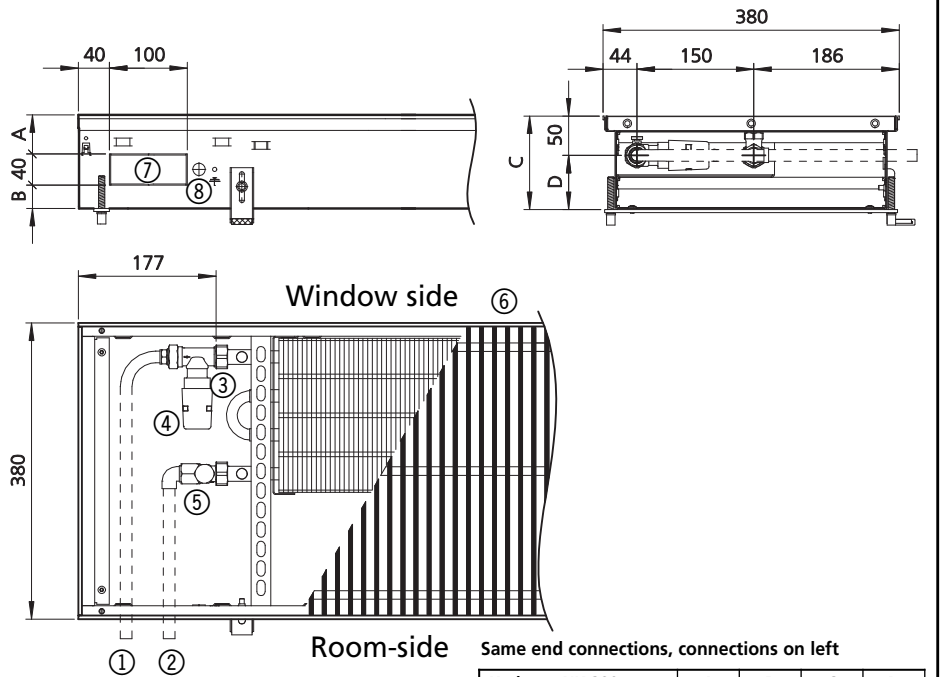
Katherm NK 300	A	B	C	D
Duct height 150 mm	18	150	42	58
Duct height 200 mm	68	200	100	50

All dimensions in mm

Katherm NK 380, single-end connection

Duct height 92/120 mm

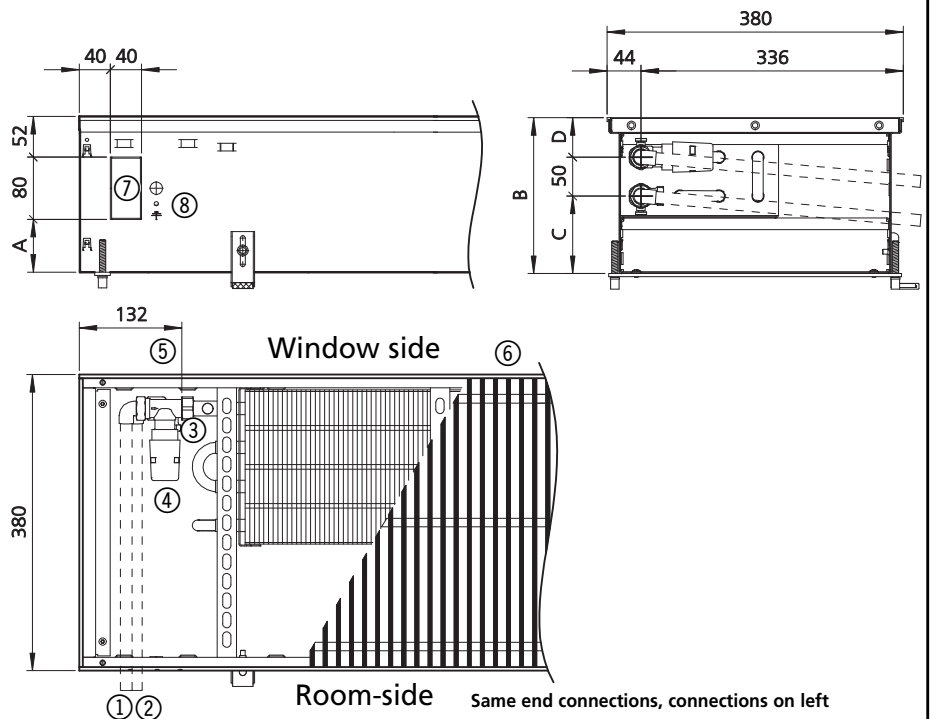
- ① Flow
- ② Return
- ③ Valve body, straight, type 194000146909 or type 194000346909 (presettable)
- ④ Thermoelectric actuator, type 194000146905
- ⑤ Return shut-off valve, straight, type 194000145952
- ⑥ Unit shown with roll-up grille
- ⑦ Pipe conduits, cut-out
- ⑧ Cable conduits



All dimensions in mm

Duct height 150/200 mm

- ① Flow
- ② Return
- ③ Valve body, straight, type 194000146909 or type 194000346909 (presettable)
- ④ Thermoelectric actuator, type 194000146905
- ⑤ Return shut-off valve, straight, type 194000145952
- ⑥ Unit shown with roll-up grille
- ⑦ Pipe conduits, cut-out
- ⑧ Cable conduits



All dimensions in mm

1.45 *Katherm* NK - Natural Convection

Number of height-adjustment feet and raised floor mounting feet

9. Number of height-adjustment feet and raised floor mounting feet

Duct length [mm]	Number of height-adjustment feet	Number of raised floor mounting feet
800	2	2
1000	2	3
1200	2	3
1400	2	3
1600	2	3
1800	2	3
2000	2	4
2200	2	4
2400	2	4
2600	2	5
2800	2	5
3000	2	5
3200	2	5
3400	4	6
3600	4	6
3800	4	6
4000	4	6
4200	4	7
4400	4	7
4600	4	7
4800	4	7
5000	4	8

10. Maintenance

Information

Maintenance on *Katherm* NK floor ducts should only be carried out by qualified personnel trained in compliance with the installation and operating instructions as well as any regulations currently in force. Regular maintenance and inspections are required in order to permanently guarantee the function and performance of the *Katherm* NK.

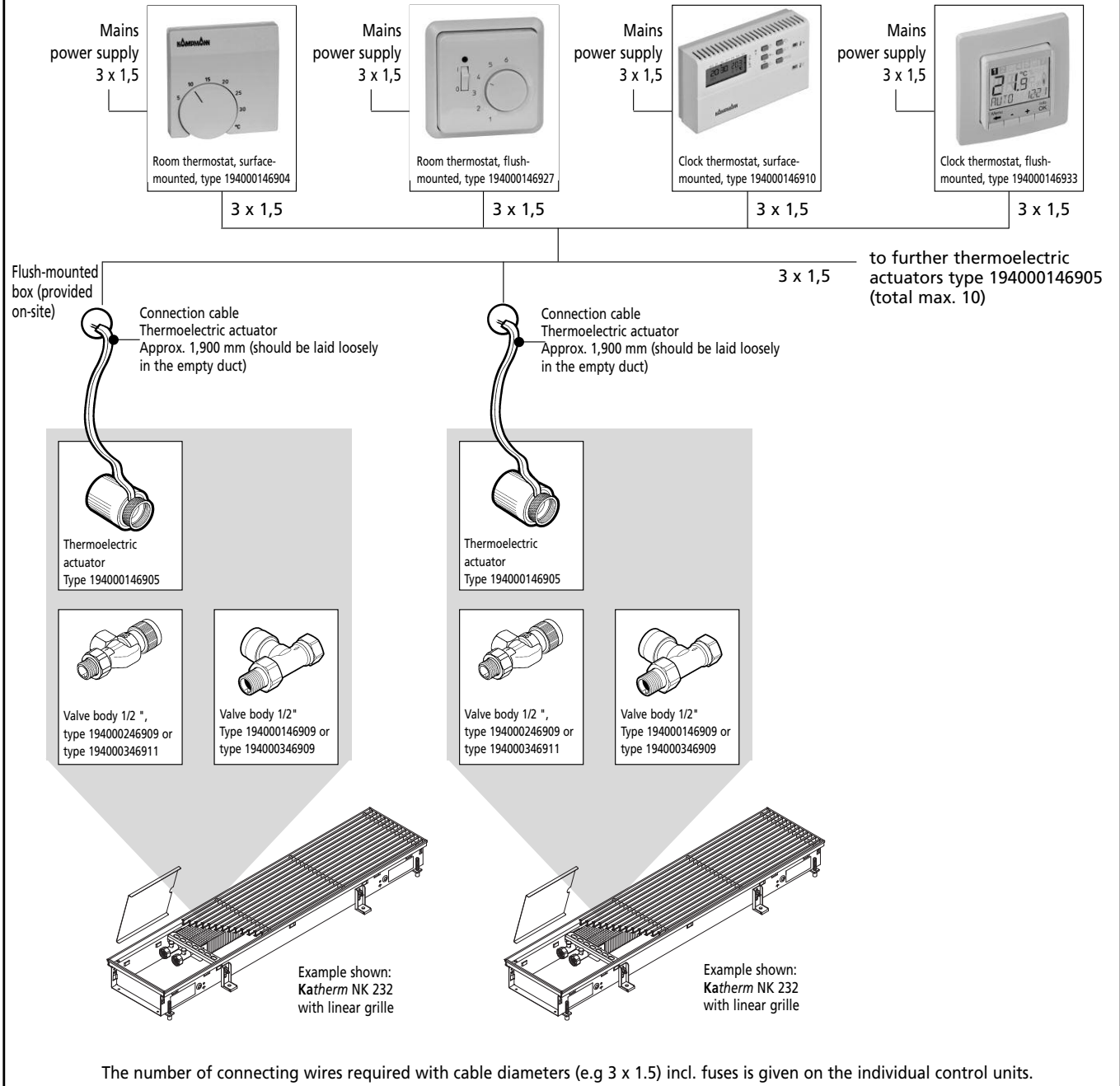
Heat exchanger

- Inspect the integral heat exchanger every six months for dirt and possible damage. A visual inspection is sufficient here.
- Carefully vacuum the heat exchanger if dirty.

Valves

- Inspect the valves as well every 12 months and check the leak-tightness (visual inspection)!

11. Possible Control Options



Note: Always place 194000 in front of the respective type number. e.g. 146904 → 194000146904

Sample controls

An option for electric controls is the combination of a room thermostat and the corresponding number of actuators and valves. The required room temperature is set on the room thermostat. If the room temperature falls below this set value, the thermoelectric actuator opens the water-side valve.

1.45 Katherm NK - Natural Convection

Model Overview - Valve Bodies/Return Shut-off Valves

12. Model Overview - Valve Bodies/Return Shut-off Valves

Model Overview - Valve Bodies/Return Shut-off Valves

Duct height [mm]	Katherm NK					
	NK 137		NK 182		NK 232, NK 300 and NK 380	
	Eurokonus flow connection	Eurokonus return connection	Eurokonus flow connection	Eurokonus return connection	Eurokonus flow connection	Eurokonus return connection
92	Axial, type 194000246909 or type 194000346911	Return shut-off valve, straight, type 194000145952	Axial, type 194000246909 or type 194000346911	Return shut-off valve, straight, type 194000145952	Valve, straight, type 194000146909 or type 194000346909	Return shut-off valve, straight, type 194000145952
120						
150	-	-	Valve, straight, type 194000146909 or type 194000346909			
200						

Kampmann.de

Kampmann GmbH
Friedrich-Ebert-Str. 128 - 130
49811 Lingen (Ems)
Germany

T +49 591 7108-0
F +49 591 7108-300
E info@kampmann.de

Kampmann UK Ltd.
Dial House, Govett Avenue
Shepperton, Middlesex, TW17 8AG
Great Britain

T +44 (0)1932 228592
F +44 (0)1932 228949
E info@kampmann-uk.co.uk

CE

KAMPMAN
Genau mein Klima.